



# DANPAL<sup>®</sup> LOUVRE SYSTEM

Operable Translucent  
Shading System



SHADING



# MAXIMUM CONTROL OVER LIGHT AND HEAT

DANPAL® LOUVRE IS A TRANSLUCENT SHADING SYSTEM THAT PROVIDES MAXIMUM CONTROL OVER LIGHT AND HEAT WITH COMPLETE UV PROTECTION. AVAILABLE IN A WIDE VARIETY OF COLOURS, FINISHES AND EFFECTS, IT PROVIDES BOTH VISUAL AND CLIMATIC BENEFITS TO NEW OR REFURBISHED BUILDINGS.

## Play with light, shade and color

Users can adjust the louvres to create their desired balance of light and shade, achieving the right atmosphere.

The Danpal® Louvre translucent shading system can be installed on various types of building envelopes in a variety of color combinations and finishes - stretching your imagination to the limit.

## All-weather design

It is suitable in all weather conditions and compliant with all building code requirements

Made with Microcell technology, the latest and most advanced system for architectural shading applications, Danpal® Louvre Systems offer high impact resistance. The system contains snap-on interlocking dry-glazed connectors made of aluminium - providing simple and low cost installation.



# SUPERIOR LIGHT AND VISUAL APPEARANCE

THE PANEL'S UNIQUE STRUCTURE TRANSMITS AN EVEN DIFFUSION OF NATURAL LIGHT, PRODUCING A RICH LOOK

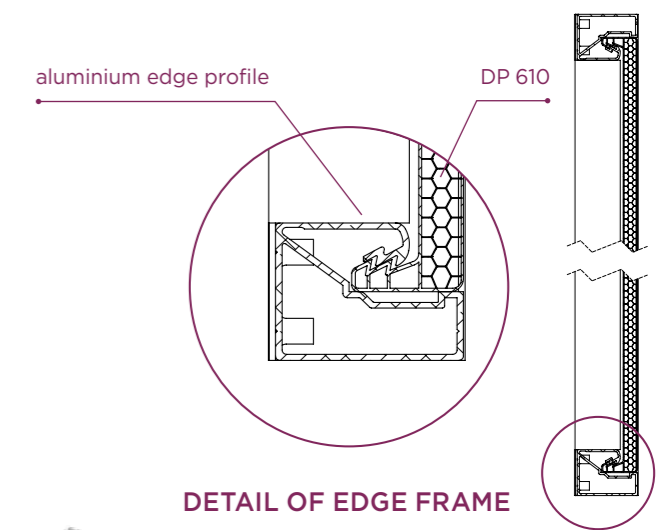
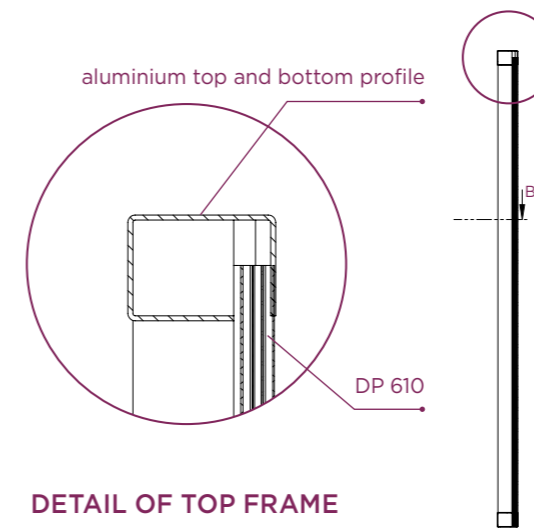
Specifically designed for architectural daylight applications, the tight spacing between the ribs produces a superior quality of light and an aesthetically appealing presence. Customers can select various colours and light transmission levels, with either a glossy or matt surface finish.

## High Resistance

The system provides a double tooth grip-lock connection that ensures extended longevity even when subject to high wind loads.

## Extended UV Protection

Danpal® panels offer co-extruded UV protection - resulting in longer system life.



## SYSTEM BENEFITS

- Lightweight
- Wide range of colors and finishes
- Quick, easy and cost effective installation
- Recyclable materials
- Fully adjustable and compatible with building automation systems



Carrington Aged Care, Camden Australia | Danpal® Louvre System | Architects: Jackson Teece

Jiading Junior Middle School, Shanghai China | Danpal® Louvre System

WIDE VARIETY OF COLOURS AND FINISHES

TO SPARK YOUR IMAGINATION



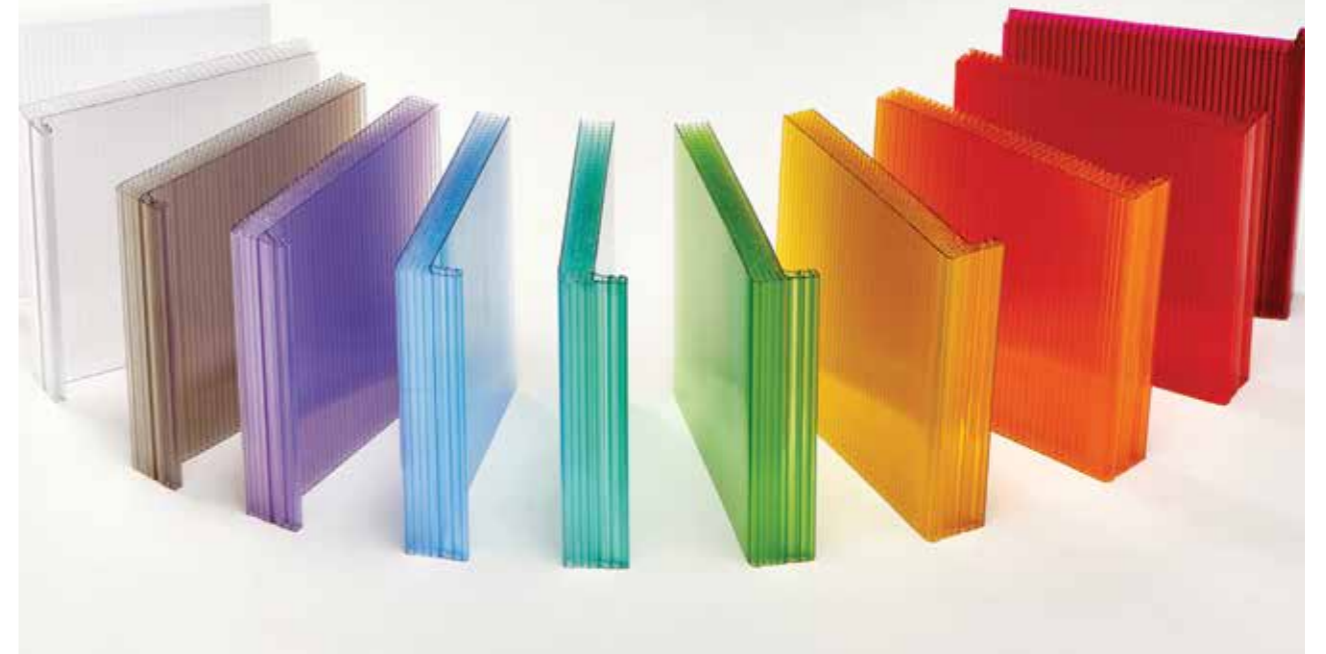
Port Botany, Sydney Australia | Danpal® Louvre System | Architects: Jackson Teece



Community Services Offices, Charlestown Australia | Danpal® Louvre System | Architects: Jackson Teece

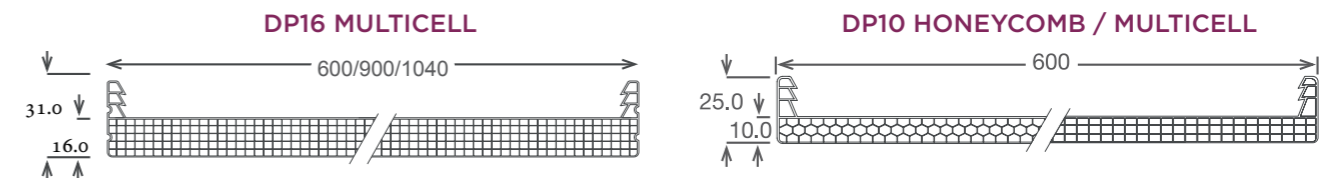
## DISCOVER OUR RICH COLOR PALETTE

Danpal® offers a rainbow of colors. From the purity of clear to warm hues and vibrant red, customers have the freedom to choose the color and light transmission quality, creating any type of atmosphere.



## TECHNICAL FEATURES

MODULE	600,900,1040 DEPENDING on the panel type	STANDARD	
Reaction to fire	B-s1,d0	Norm NF EN 13501-1 : 2002 P.V. LNE M071009 - DE/5 ; DE/9	
Acoustic	As per panel characteristics	CSTB : AC08-26013441/1 et AC08-2613441/2.	
Light transmission	As per panel characteristics	norm ASHRAE- 74-1988.	
10 year warranty	Yes		
Impact and shock resistance	Pass	PV CSTB GM 89/10 , PV CSTB GM 94/2	
Suitable for panel	10, 16	10, 16	10, 16
Finishes of panel	Low E, softlite, HP		



## COLOR YOUR ATMOSPHERE WITH THE DANPAL® PALETTE



### ABOUT THE COMPANY

#### Innovative light architecture systems for building envelopes

Danpal® are creators of exceptional light-transmitting architectural systems for building envelopes, providing optimal solar and thermal comfort.

For over 30 years, our innovative systems have helped architects to transform light (both natural and artificial) into a powerful and versatile tool, for architectural creations that are internally and externally radiant.

An industry visionary, Danpal® are originators of the Danpalon® translucent panel standing seam system - a light architecture solution used around the world in commercial, education, transport, health, sports and high-tech projects.

Today, the company offers complete systems - providing total solutions for the building envelope. Danpal® designs, manufactures and distributes an unmatched range of daylighting systems for all types of building requirements - from facades, cladding, roofs, skylights, shading, to interior and outdoor applications.

Danpal® systems are built around innovative technologies, deep architectural know-how and the ever evolving needs of our clients. Operating in five continents, Danpal® inspires architectural creativity with its rainbow of light architecture solutions.

#### Danpal® Louvre is an integral part of Danpal's range of systems - giving you a complete solution



FACADES



CLADDING



SKYLIGHTS



OUTDOOR



SHADING



INTERIOR

[www.danpal.com](http://www.danpal.com)

**Danpal®**  
Light Architecture